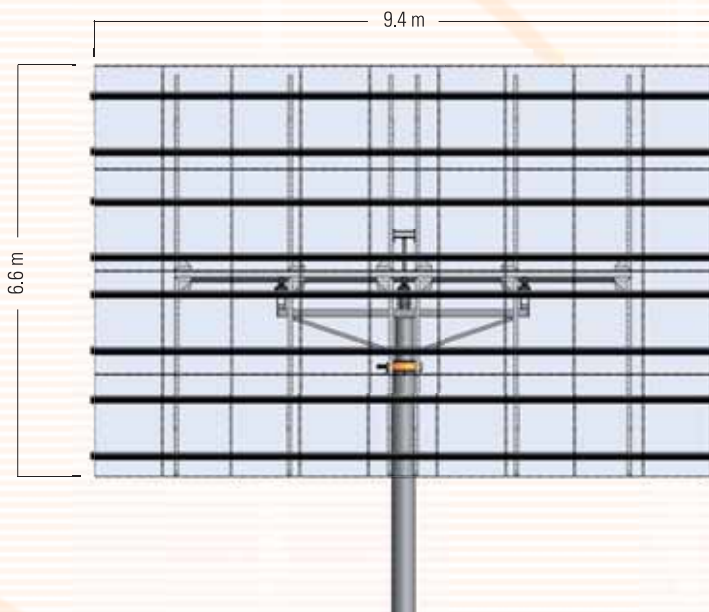
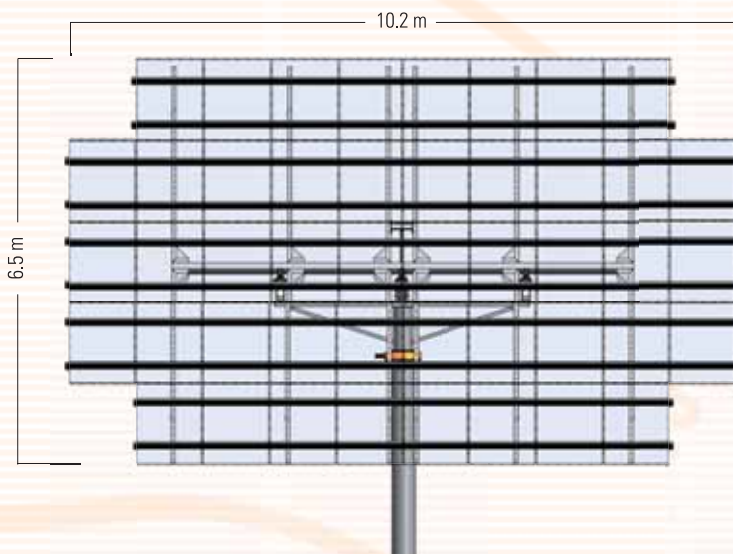


## Allocation of modules

The rail rack of the **sonnen\_system** allows an **extremely versatile and flexible arrangement** of all current PV modules. The layout of the **sonnen\_systems** can be individually adapted to the quantity and size of the **applied module type**, and thus, the most **different module allocations** can be realized.

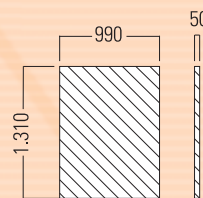


### so\_sy 3\_60



#### Example No. 1

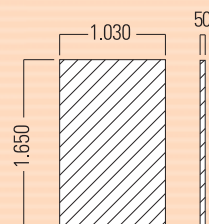
**46 modules - 8.28 kWp**



<b>Dimensions</b>	1310 x 990 x 50 mm
<b>Weight</b>	15.4 kg
<b>Total module surface</b>	60.1 m <sup>2</sup>

#### Example No. 2

**36 modules - 7.56 kWp**

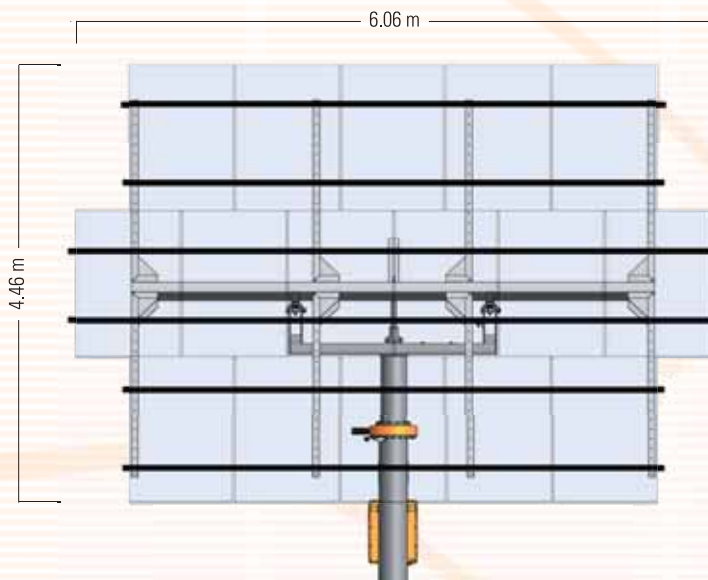


<b>Dimensions</b>	1650 x 1030 x 50 mm
<b>Weight</b>	19 kg
<b>Total module surface</b>	62.34 m <sup>2</sup>

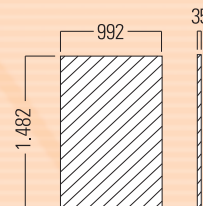
## Proposals for the allocation of modules

Module sizes	sonnen_system	sonnen_system	sonnen_system
	Quantity of modules <b>3_30</b>	Quantity of modules <b>3_40</b>	Quantity of modules <b>3_60</b>
1310 x 990 mm (Length x Width)	18 pieces	30 pieces	<b>Example 1 = 46 pieces</b>
1650 x 1030 mm (Length x Width)	18 pieces	24 pieces	<b>Example 2 = 36 pieces</b>
1482 x 992 mm (Länge x Breite)	<b>Example 3 = 16 pieces</b>	30 pieces	46 pieces
1610 x 861 mm (Length x Width)	<b>Example 4 = 21 pieces</b>	28 pieces	43 pieces
1638 x 982 mm (Length x Width)	19 pieces	25 pieces	37 pieces
1318 x 994 mm (Length x Width)	23 pieces	30 pieces	46 pieces
1658 x 834 mm (Length x Width)	22 pieces	30 pieces	43 pieces
1652 x 994 mm (Length x Width)	18 pieces	24 pieces	36 pieces
1580 x 808 mm (Length x Width)	25 pieces	32 pieces	47 pieces

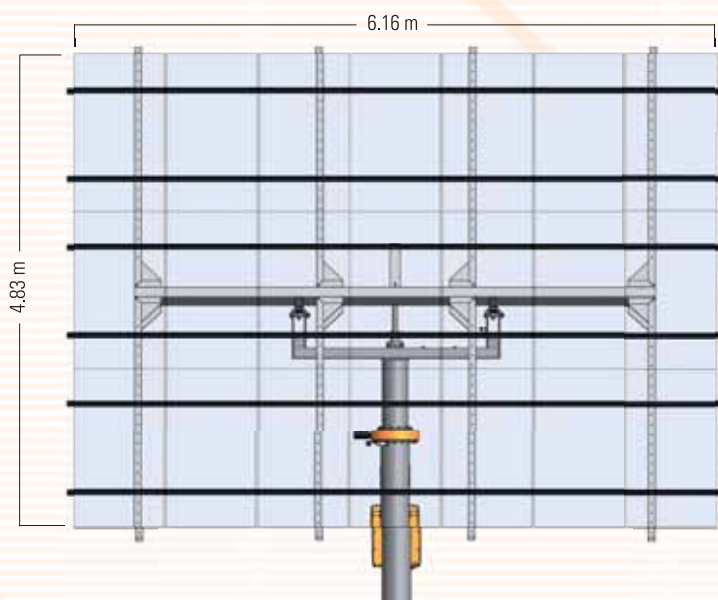
### so\_sy 3\_30



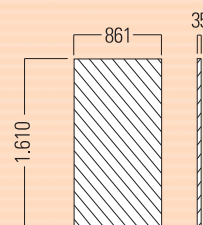
#### Example No. 3 16 modules · 3.2 kWp



**Dimensions** 1482 x 992 x 35 mm  
**Weight** 16.8 kg  
**Total module surface** 23.90 m<sup>2</sup>



#### Example No. 4 21 modules · 4.2 kWp



**Dimensions** 1610 x 861 x 35 mm  
**Weight** 16.5 kg  
**Total module surface** 29.70 m<sup>2</sup>